

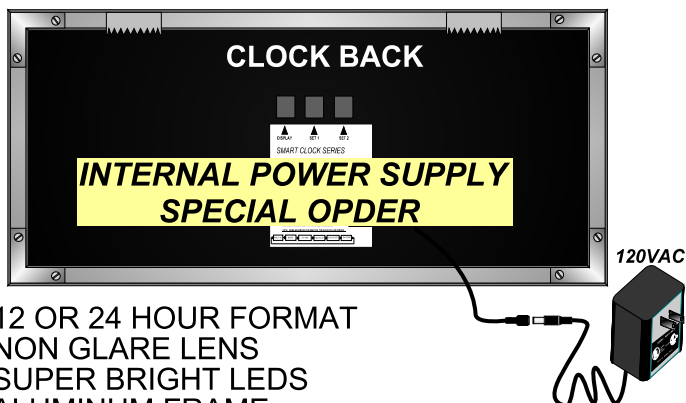
# BJL-42440



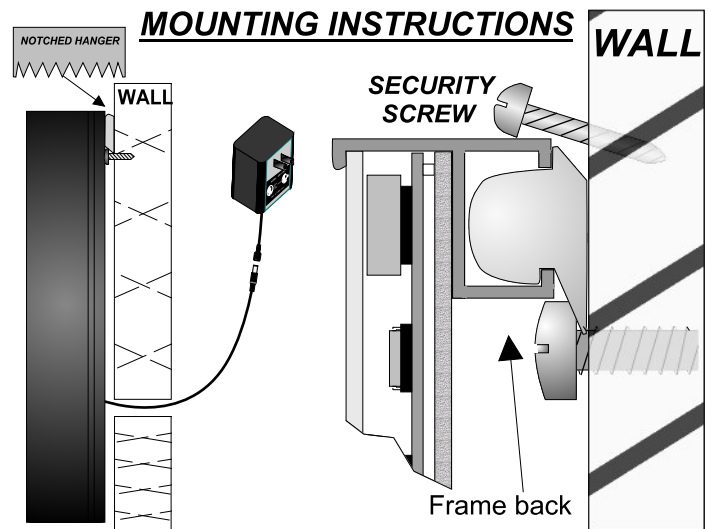
## SPECIFICATIONS

- TYPE:**----- DIGITAL
- DISPLAY:**----- 4-DIGIT, 7 SEGMENT RED SUPER BRIGHT LED
- CHARACTER HEIGHT:**----- 4" (101.6 mm) HR./MIN. 2.5" JULIAN DATE
- VISIBILITY:**----- 250 Ft. (76.2 METERS)
- POWER REQUIREMENTS:**-- 1.5 amp AT 9VAC (**TRANSFORMER INCLUDED**)
- FRAME:**----- ALUMINUM (BLACK ANODIZED FINISH)
- DIMENSIONS:** ----- 15.25" x 15.25" x 1.38"
- WEIGHT:**----- 5.5 lbs.
- OPERATING TEMP.:**----- -17° TO 182° F
- HUMIDITY:**----- 0% TO 95% NON-CONDENSING
- OPERATING MODE:**----- AUTOMATIC DAYLIGHT AND 10 year LITHIUM BACKUP

### NEW 1 SEC A YEAR ACCURATE (TCXO)



- 12 OR 24 HOUR FORMAT
- NON GLARE LENS
- SUPER BRIGHT LEADS
- ALUMINUM FRAME
- 10 YEAR LITHIUM BATTERY BACKUP (**Standard**)
- AUTOMATIC DAY LIGHT CORRECTION (**Standard**)
- ONE SEC A YEAR ACCURACY (TCXO) (**Standard**)



# SETTING INSTRUCTIONS

▲  
DISPLAY

▲  
SET 1

▲  
SET 2

## SMART DIGITAL CALENDAR CLOCK SERIES

THERE ARE EIGHT REGISTERS. THEY ARE *TIME, MO/DAY, YEAR, 12/24 HR, DAYLIGHT SAVING TIME, TIME ZONE LOCATION, BRIGHTNESS AND TIME CORRECTION*. THE DISPLAY BUTTON STEP YOU THROW THESE REGISTERS. TO SET A REGISTER YOU WILL USE THE (SET 1) AND THE (SET 2) BUTTONS.

**NOTE: ALL REGISTERS HAVE BEEN PRSET AND THE CALENDAR CLOCK IS RUNNING AT THE CORRECT TIME.**

**STEP 1:** PRESS THE DISPLAY BUTTON. TO SET THE *MONTH AND DAY*, THE (SET 1) BUTTON ADVANCES THE DAY. THE (SET 2) BUTTON ADVACES THE MONTH.

**STEP 2:** PRESS THE DISPLAY BUTTON. TO SET THE *YEAR*, THE (SET 1) BUTTON ADVANCES THE YEAR. THE (SET 2) BUTTON DECREASES THE YEAR.

**STEP 3:** PRESS THE DISPLAY BUTTON. TO SET THE *12 OR 24 HOUR FORMAT*, THE (SET 1) BUTTON SETS 12 OR 24 HOUR.

**STEP 4:** PRESS THE DISPLAY BUTTON. TO SET *DAYLIGHT SAVING TIME*, THE (SET 1) BUTTON ADVANCES AND THE (SET 2) BUTTON DECREASES THE NUMBER.

0 = NO DAYLIGHT SAVING TIME

1 = AUTOMATIC DAYLIGHT TIME. (USA)

**OTHER COUNTRIES, SEE CHART**

THE LINK TO THE DAYLIGHT AND ZONE CHART.

<http://www.digitaldisplay.com/specs/SMART%20CLOCK%20INST.pdf>

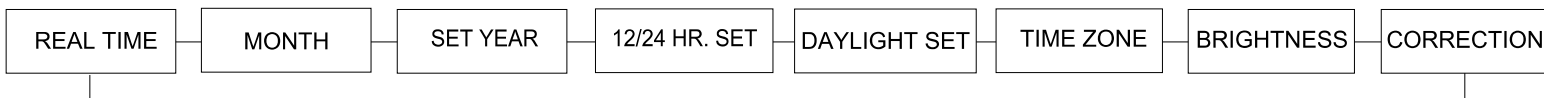
**STEP 5:** PRESS THE DISPLAY BUTTON. TO SET THE *ZONE*, THE (SET 1) BUTTON ADVANCES AND THE (SET 2) BUTTON DECREASES THE ZONE. **SEE CHART FOR YOUR ZONES.** **NOTE: A 7 IS DISPLAYED ON THE LEFT.**

**STEP 6:** PRESS THE DISPLAY BUTTON. TO SET THE *BRIGHTNESS*, THE (SET 1) BUTTON ADVANCES AND THE (SET 2) BUTTON DECREASES THE BRIGHTNESS **NOTE: A b IS DISPLAYED ON THE LEFT (OPTION).**

**STEP 7:** PRESS THE DISPLAY BUTTON. TO SET *TIME CORRECTION*, THE (SET 1) BUTTON ADVANCES AND THE (SET 2) BUTTON DECREASES. **NOTE: A c IS DISPLAYED ON THE LEFT. THE NUMBER IS IN SECONDS PER MONTH CORRECTION. A MINUS SIGN OVER THE c SUBTRACTS SECONDS PER MONTH.**

**STEP 8:** PRESS THE DISPLAY BUTTON. TO SET THE *TIME*, THE (SET 1) BUTTON ADVANCES THE MINUTES. THE (SET 2) BUTTON ADVANCES THE HOUR

**NOTE: WHEN ADVANCING THE MINUTES, THE SECONDS ARE ZEROED**



## CORRECTION REGISTER DETAILED INSTRUCTIONS

THE CORRECTION REGISTER IS USED TO TRIM THE TIME KEEPING CRYSTAL, PLUS OR MINUS SECONDS OF A MONTH. TO AVODE CHASING THE CXR (CRYSTAL) THE MINIMUM CORRECTION INTERVAL SHOULD BE ONE MONTH, TWO MONTHS PREFERRED. WHEN IN THE CORRECTION REG. A SMALL C (c) OR A C- (c̄) IS DISPLAYED TO THE LEFT AND UP TO THREE DIGITS TO THE RIGHT. THE NUMBERS TO THE RIGHT REPRESENT SECONDS PER MONTH, THE (c) IS ADDING SECONDS AND THE (c̄) IS SUBTRACTING SECONDS. (MAXIMUM SETTING IS USUALLY 2 SEC + OR -)